

ENGINE PARTS - MODEL 875r

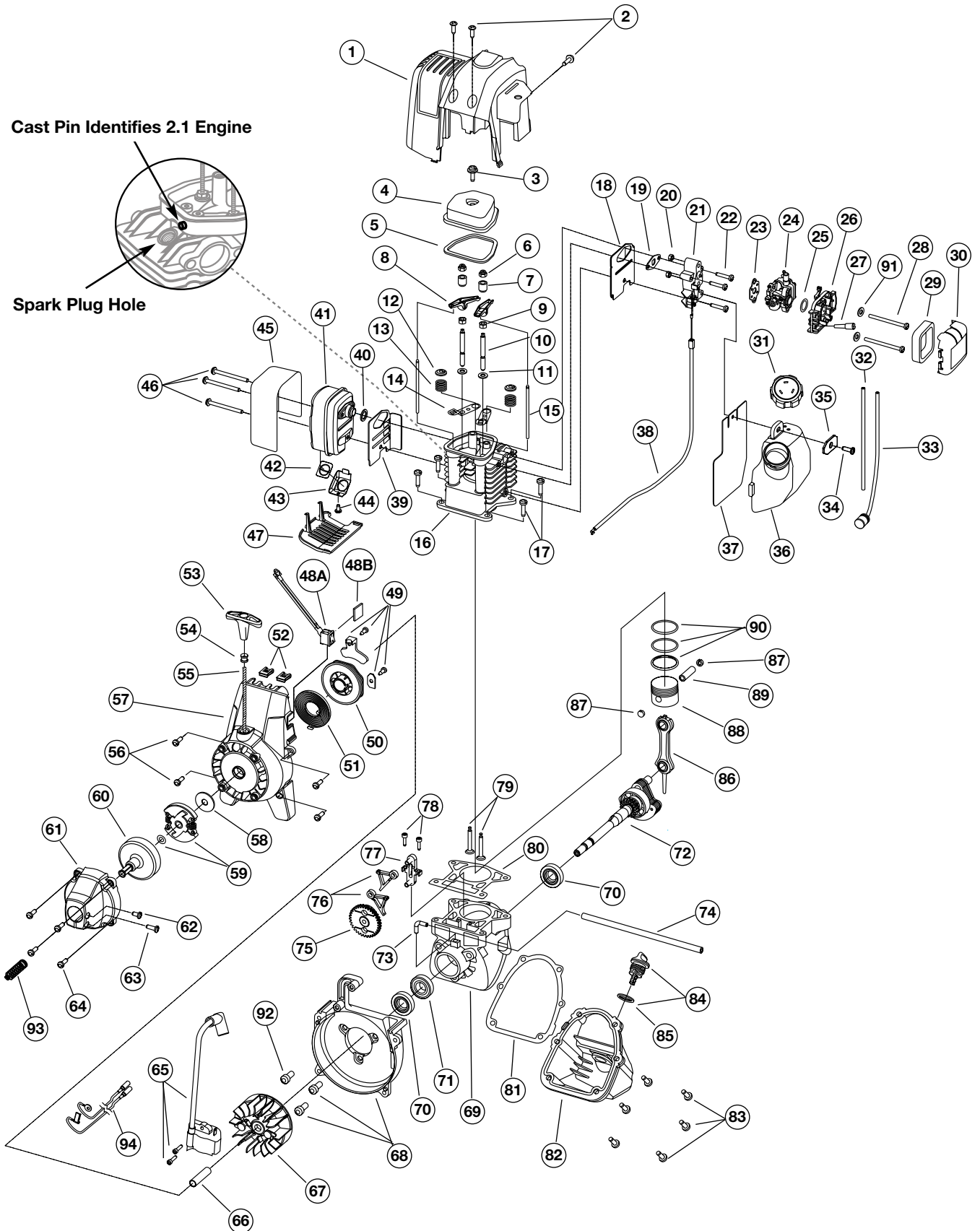
4-CYCLE GAS TRIMMER

(Serial Number 905410855 and greater)

Part Numbers On Following Page

Cast Pin Identifies 2.1 Engine

Spark Plug Hole



ENGINE PARTS - MODEL 875r**4-CYCLE GAS TRIMMER****(Serial Number 905410855 and greater)**

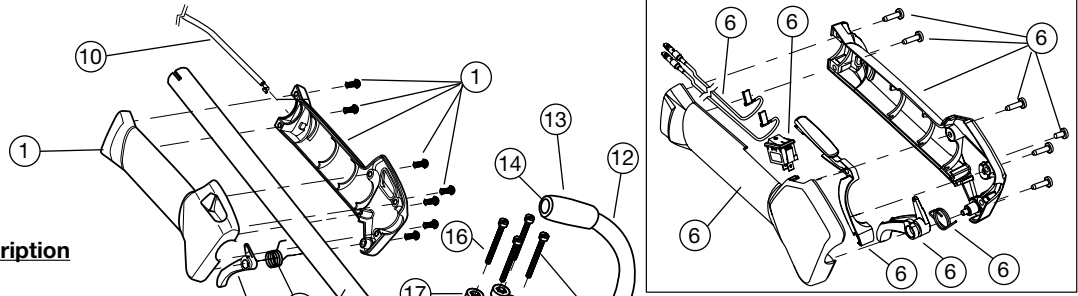
| <u>Item</u> | <u>Part No.</u> | <u>Description</u> | <u>Item</u> | <u>Part No.</u> | <u>Description</u> |
|-------------|-----------------|--|-------------|-----------------|--|
| 1 | 182338 | Engine Cover | 49 | 182363 | Pulley Retainer Assembly |
| 2 | 182339 | Engine Cover Screws | 50 | 181597 | Recoil Pulley |
| 3 | 181025 | Valve Cover Screw | 51 | 613102 | Recoil Spring |
| 4 | 182098 | Valve Cover | 52 | 182366 | Nut Clip |
| 5 | 182099 | Valve Cover Gasket | 53 | 181079 | Pull Handle |
| 6 | 182340 | Rocker Adjustment Nut | 54 | 611061 | Rope Guide |
| 7 | 182101 | Rocker Arm Pivot | 55 | 613103 | Rope |
| 8 | 182100 | Rocker Arm | 56 | 181020 | Starter Housing Screw |
| 9 | 181034 | Hex Nut | 57 | 182367 | Starter Housing Assembly (includes 49-56) |
| 10 | 182341 | Rocker Arm Stud | 58 | 182368 | Clutch Washer |
| 11 | 181035 | Washer | 59 | 182369 | Clutch with Spacer |
| 12 | 182103 | Valve Spring Retainer | 60 | 153592 | Clutch Drum |
| 13 | 181038 | Valve Spring | 61 | 182364 | Clutch Cover |
| 14 | 182102 | Push Rod Guide | 62 | 145569 | Anti-Rotation Screw |
| 15 | 181033 | Push Rod | 63 | 181345 | Screw |
| 16 | 182343 | Cylinder Head | 64 | 181080 | Clutch Cover Screw |
| 16 | 182700 | Cylinder Head (2.1 Engine) | 65 | 182725 | Ignition Module with Screws |
| 17 | 182344 | Cylinder Screw | 66 | 181065 | Spacer |
| 18 | 182345 | Intake Baffle | 67 | 181867 | Flywheel |
| 19 | 182346 | Carburetor Mount Gasket | 68 | 182371 | Shroud Assembly with Screws (includes 93) |
| 20 | 181034 | Nut | 69 | 182376 | Crankcase Assembly (includes 70-74) |
| 21 | 182347 | Carburetor Mount (includes 20) | 70 | 610309 | Oil Seal |
| 22 | 182348 | Carburetor Mount Screw | 71 | 182372 | Bearing |
| 23 | 182427 | Carburetor Gasket | 72 | 182380 | Crankshaft |
| 24 | 182349 | Carburetor with Primer | 73 | 182375 | 90° Elbow |
| 24 | 182654 | Carburetor with Primer (2.1 Engine) | 74 | 182379 | Breather Hose |
| 25 | 181751 | O-Ring, Carburetor | 75 | 181015 | Cam Gear |
| 26 | 182350 | Air Filter/Choke Assembly (includes 29 & 30) | 75 | 182666 | Cam Gear (2.1 Engine) |
| 27 | 182097 | Breather Tube | 76 | 181014 | Cam Follower |
| 28 | 181750 | Air Filter Mounting Screw | 76 | 182667 | Cam Follower (2.1 Engine) |
| 29 | 181757 | Air Filter | 77 | 181013 | Cam Bracket |
| 30 | 182351 | Air Filter Cover | 78 | 181012 | Cam Bracket Screw |
| 31 | 182271 | Fuel Cap | 79 | 181040 | Valves, Intake and Exhaust |
| 32 | 182352 | Fuel Return Line | 80 | 182374 | Cylinder Gasket |
| 33 | 182353 | Fuel Pick-Up Line with Filter | 81 | 181018 | Oil Pan Gasket |
| 34 | 181080 | Screw | 82 | 182377 | Oil Pan (includes 81 & 83) |
| 35 | 182354 | Washer | 83 | 181020 | Oil Pan Screw |
| 36 | 182355 | Fuel Tank Assembly (includes 31-33) | 84 | 182378 | Dipstick Assembly (includes 85) |
| 37 | 182356 | Fuel Tank Shield | 85 | 182290 | O-Ring |
| 38 | 182357 | Throttle Cable | 86 | 181009 | Connecting Rod |
| 39 | 182358 | Muffler Baffle | 87 | 181008 | Wrist Pin Button |
| 40 | 181048 | Muffler Gasket | 88 | 182381 | Piston |
| 41 | 182359 | Muffler (includes 40, 42-44) | 89 | 181006 | Wrist Pin |
| 42 | 180890 | Spark Arrestor Screen | 90 | 181005 | Piston Ring Set |
| 43 | 181045 | Screen Cover | 91 | 182409 | Washer |
| 44 | 181046 | Screw | 92 | 181861 | Screw |
| 45 | 182360 | Muffler Shield | 93 | 612468 | Compression Spring |
| 46 | 182361 | Muffler Mounting Screw | 94 | 182688 | Coil Wire Assembly |
| 47 | 182362 | Muffler Cover | * | 180852 | Spark Plug |
| 48A | 182365 | Switch with Wires (Used with Version A Grip) | * | 182382 | Short Block Assembly (includes 3-17, 69-90) |
| 48B | 182537 | Grommet (Used with Version B Grip) | * | 182383 | Cylinder Assembly (includes 9-11, 14, 16 & 80) |
| | | | * | 180142 | Starter Pawl Repair Kit |
| | | | * | 182935 | Carburetor Repair Kit |
| | | | * | | Parts not shown |

BOOM AND TRIMMER PARTS - MODEL 875r

4-CYCLE GAS TRIMMER

(Serial Number 905410855 and greater)

Version A Grip



Version B Grip

| Item | Part No. | Description |
|-----------------------|----------|--|
| Version A Grip | | |
| 1 | 182384 | Throttle Housing and Trigger Assembly (includes 2 & 3) |
| 2 | 610314 | Throttle Trigger Spring |
| 3 | 182385 | Throttle Trigger |
| Version B Grip | | |
| 4 | 182543 | Throttle Housing and Trigger Assembly (includes 5-7) |
| 5 | 182538 | Throttle Trigger Lock-Out |
| 6 | 182689 | Throttle Trigger |
| 7 | 182690 | Throttle Trigger Spring |
| 8 | 182691 | Switch Assembly (includes 9) |
| 9 | 182692 | Lead Wire Assembly |
| 10 | 182357 | Throttle Cable Assembly |
| 11 | 182386 | Upper Drive Shaft Housing Assembly |
| 12 | 180687 | J-Handle Assembly (includes 13 & 14) |
| 13 | 612831 | Grip |
| 14 | 612021 | Tube Closure |
| 15 | 683295 | Handle Bracket Assembly (includes 16-21) |
| 16 | 181811 | Screw |
| 17 | 181812 | Upper Handle Clamp |
| 18 | 181813 | Middle Handle Clamp |
| 19 | 181814 | Lower Handle Clamp |
| 20 | 181815 | Nut |
| 21 | 145569 | Anti-Rotation Screw |
| 22 | 181616 | Click-Link Coupler (includes 23-26) |
| 23 | 182057 | Screw |
| 24 | 181617 | Bolt |
| 25 | 181618 | Adjustment Knob |
| 26 | 181886 | Knob Retaining Nut |
| 27 | 182388 | Lower Drive Shaft Housing Assembly |
| 28 | 683608 | Lower Flexible Drive Shaft |
| 29 | 153597 | Lower Clamp Assembly (includes 30) |
| 30 | 145569 | Anti-Rotation Screw |
| 31 | 181566 | Gearbox Assembly |
| 32 | 180547 | Shield Mounting Hardware |
| 33 | 180548 | Shield and Blade Assembly (includes 34) |
| 34 | 180553 | Blade Assembly |
| 35 | 181457 | Outer Spool and Eyelet Assembly (includes 36) |
| 36 | 181458 | Retainer |
| 37 | 181561 | Thrust Washer |
| 38 | 181459 | Small Spring |
| 39 | 181461 | Slider |
| 40 | 181532 | E-Clip |
| 41 | 181531 | Spring |
| 42 | 181462 | Plunger |
| 43 | 181463 | C-Clip |
| 44 | 181464 | Inner Reel |
| 45 | 181465 | Large Spring |
| 46 | 181467 | Foam Seal |
| 47 | 181468 | Bump Head Knob Assembly with Spring and Foam Seal |
| * | 610327 | Harness Clip (Used with Version B Grip) |

Optional Accessories

- * 181472 Replacement Line, 0.80 Diameter (Eight - 10 ft lengths)
- * 181460 Reel and Line Assembly
- * 682075 Shoulder Strap Assembly
- * 181786 Ryobi 4-Cycle Oil

* Items Not Shown

